



BB-RT-30-86-90  
PRESS-FIT BB REMOVAL TOOL



25BB

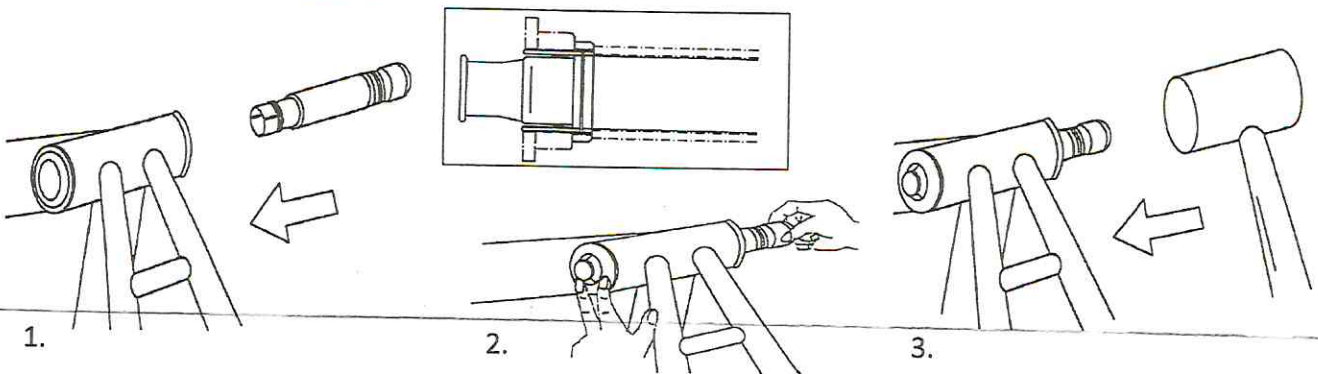


30BB

**INSTRUCTIONS MANUAL:**

**For Press-Fit BB**

1. Make sure the three flap parts are placed on the B.B. removal tool correctly.  
Insert the removal tool into Bottom Bracket.
2. Push the B.B. removal tool forward to the end while holding three flap parts open on the other side until the bearing is locked in place.
3. Tap the removal tool with rubber hammer until the B.B. part is ejected.
4. Tap out the other side in the same way



**For BB30 Press- Fit BB**

1. Place the YC-30BB on the outside of B.B.
2. Insert the removal tool into the Bottom Bracket
3. Hold the YC-30BB on one side of B.B. while pushing the removal tool forward from the other side until it locks in place.
4. Tap the removal tool with rubber hammer until the B.B. part is ejected.
5. Tap out the other side in the same way

